

LED TAPE LIGHT 2835 BENDABLE SERIES



2835 high output LEDs
Grade A Epistar brand LEDs

Bendable PCB

6-8 lumens per LED

Good heat dissipation, ensures the longevity of the LED chips

60 LEDs and 72 LEDs per meter is available

Can be cut every 3 LEDs (12V) or 6 LEDs (24V)

12V DC or 24V DC input

5 year warranty

Part No.	LEDs/m	Operating Voltage (V)	Wattage (W/ft)	Efficiency Range	Viewing Angle	Luminous Flu (lm/ft)		CRI*	Cutting Interval (inches)
						min	max		
FXS60-12V-xx	60	12V DC	1.8W	74 - 82	120°	136	150	≥80	2"
FXS72-12V-xx	72	12V DC	2.2W	64 - 72	120°	140	158	≥80	1.6"
FXS60-24V-xx	60	24V DC	1.8W	74 - 82	120°	136	150	≥80	4"
FXS72-24V-xx	72	24V DC	2.2W	64 - 72	120°	140	158	≥80	3.3"

*CRI of 90 available for some colour temperatures. Please enquire

Part No.	Width x Height (IP33)	Width x Height (IP64)
FXS60	8mm x 2.5mm [0.31" x 0.10"]	8mm x 2.5mm [0.31" x 0.10"]
FXS72	6.5mm x 2.5mm [0.26" x 0.10"]	6.5mm x 2.5mm [0.26" x 0.10"]

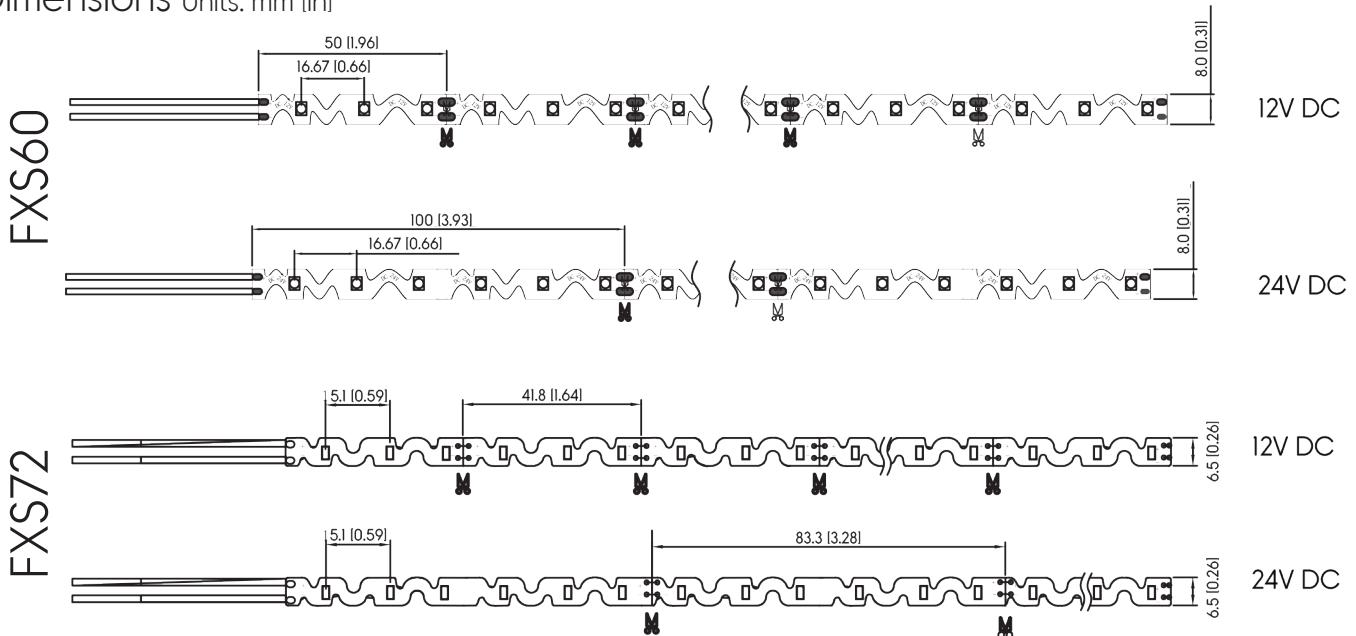


IP33



IP64

Dimensions Units: mm [in]



Part Number:

F	X	S		-			-	
	LED Chip X = 2835	Type S = Bendable S-Shaped Light	LEDs/m 60 72		Voltage 12V DC 24V DC	Colour 25 = 2500k 30 = 3000k 35 = 3500k 40 = 4000k 45 = 4500k 50 = 5000k		IP Rating 33 = Indoor/ dry location 64 = Moisture protected